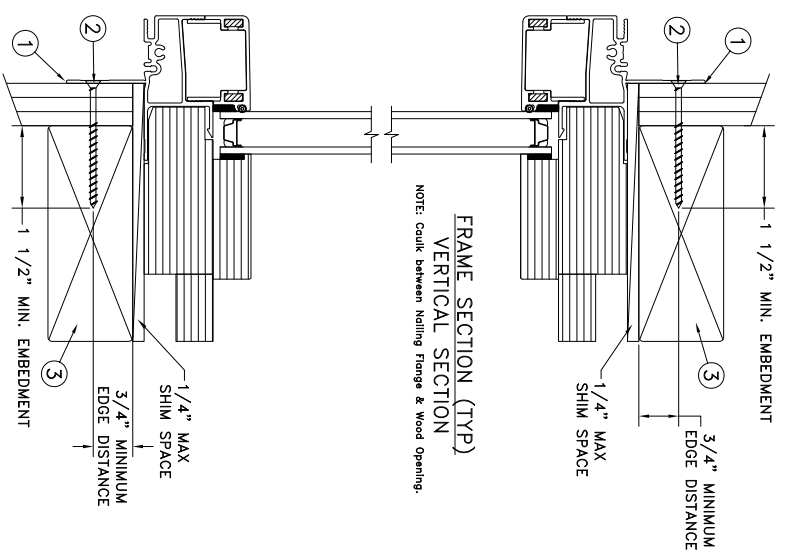
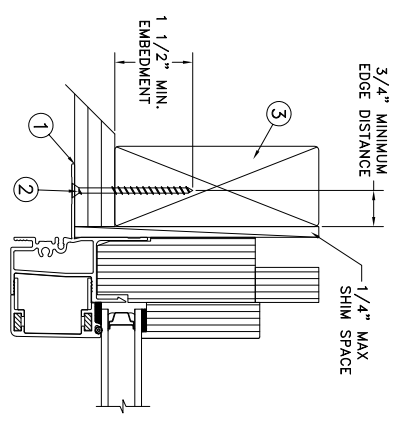


TYPICAL ELEVATION WITH FASTENER SPACING



FRAME SECTION (TYP)  
VERTICAL SECTION  
NOTE: Caulk between Nailfin Flange & Wood Opening.



NAILPIN INSTALLATION

FRAME JAMB SECTION (TYP)  
HORIZONTAL SECTION  
NOTE: Caulk between Nailfin Flange & Wood Opening.

Max Frame	DP	IMPACT
84 x 84	+50/-55	NO

**Installation Notes:**

1. Seal flange/frame to substrate.
2. Use #8 PH or greater fastener through the nailfin on all sides with sufficient length to penetrate a minimum of 1 1/2" into the wood framing. For 2x wood frame substrate (min. S.G. = 0.42)
3. Host structure (wood buck, masonry, steel) to be designed and anchored to properly transfer all loads to the structure. The host structure is the responsibility of the architect or engineer of record for the project of installation.

**General Notes:**

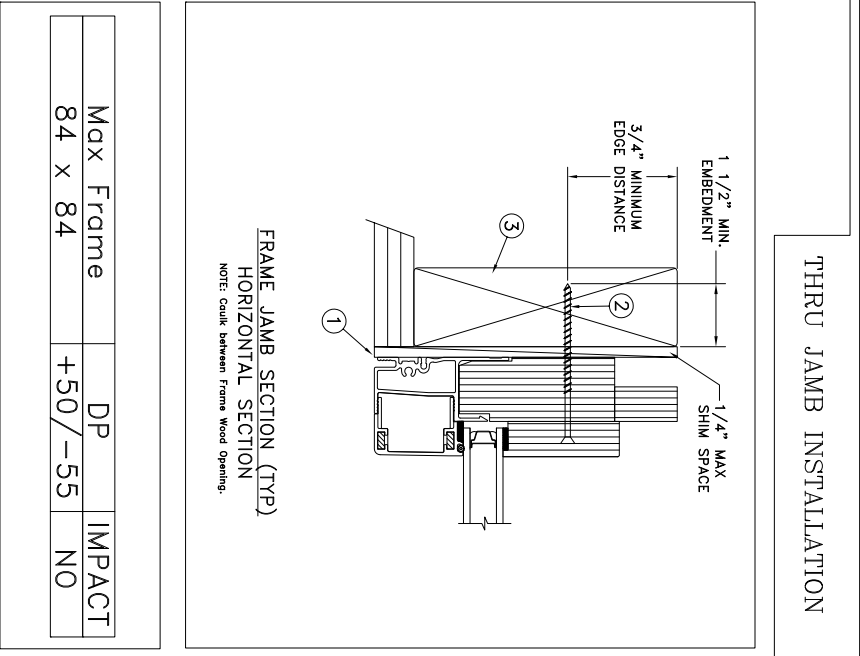
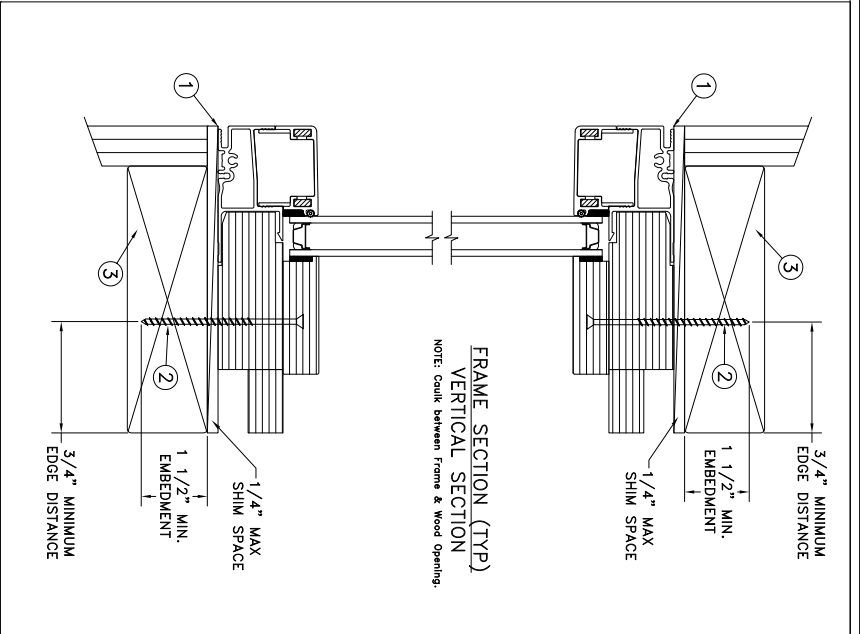
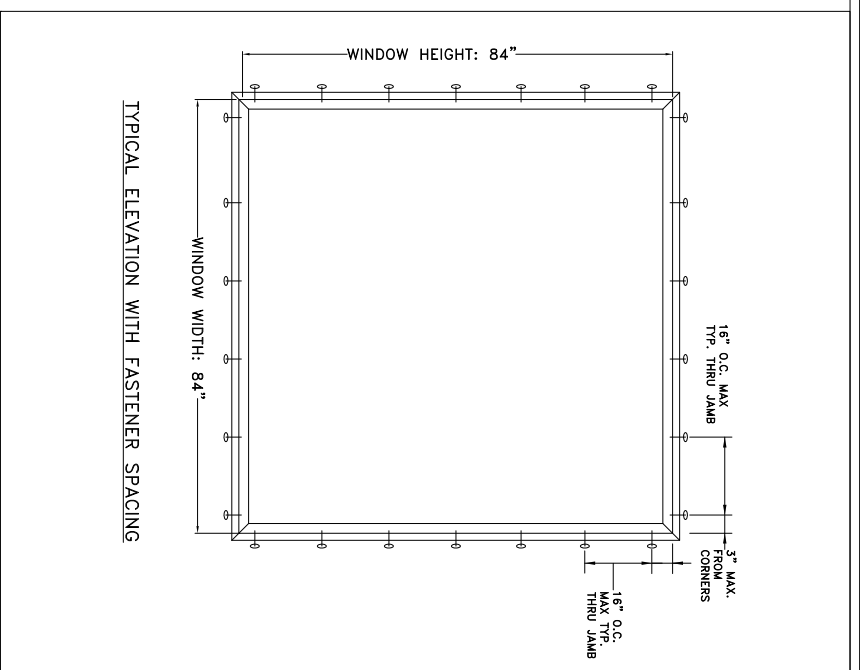
1. The product shown herein is designed, tested and manufactured to comply with the wind load criteria of the adopted International Building Code (IBC), the International Residential Code (IRC), the Florida Building Code (FBC) and the Industry requirement for the stated conditions.
2. All glazing shall conform to ASTM E7300.
3. At minimum, glazing shall be double strength annealed insulating glass.
4. Use structural or composite shims where required.

This schedule addresses only the fasteners required to anchor the window to achieve the rated design pressure and impact performance (where applicable) up to the size limitations noted. It is not intended as a guide to the installation process and does not address the sealing consideration that may arise in different wall conditions. For the complete installation procedure, see the instructions packaged with the window or go to [www.jeld-wen.com/resources/installation](http://www.jeld-wen.com/resources/installation).

**DISCLAIMER:**

This drawing and its contents are confidential and are not to be reproduced or copied in whole or in part or used or disclosed to others except as authorized by JELD-WEN Inc.

PROJECT ENGINEER:	DATE:	3737 LAKEPORT BLVD.
DRAWN BY:	11/11/2016	KLAMATH FALLS OR, 97601
J.HAWKINS	SCALE:	PHONE: (800) 535-3936
CHECKED BY:	NTS	
K.CAMPBELL	TITLE:	
APPROVED BY:		<b>EpicVue Clad Direct Set Radius Window</b>
D.STOKES		
PART/PROJECT No.:		
D014146		
IDENTIFIER No.:		
-	PLANT NAME AND LOCATION:	
	Bend-OR	
	CAD DWG. No.:	
	EpicVueCLDset Cdf	
	REV:	
	A	
	SHEET	



Max Frame	DP	IMPACT
84 x 84	+50/-55	NO

- Installation Notes:**
1. Seal flange/frame to substrate.
  2. Use #8 PH or greater fastener through the frame with sufficient length to penetrate a minimum of 1 1/2" into the wood framing. For 2x wood frame substrate (min. S.G. = 0.42)
  3. Host structure (wood buck, masonry, steel) to be designed and anchored to properly transfer all loads to the structure. The host structure is the responsibility of the architect or engineer of record for the project of installation.

- General Notes:**
1. The product shown herein is designed, tested and manufactured to comply with the wind load criteria of the adopted International Building Code (IBC), the International Residential Code (IRC), the Florida Building Code (FBC) and the industry requirement for the stated conditions.
  2. All glazing shall conform to ASTM E1300.
  3. At minimum, glazing shall be double strength annealed insulating glass.
  4. Use structural or composite shims where required.

This schedule addresses only the fasteners required to anchor the window to achieve the rated design pressure and impact performance (where applicable) up to the size limitations noted. It is not intended as a guide to the installation process and does not address the sealing consideration that may arise in different wall conditions. For the complete installation procedure, see the instructions packaged with the window or go to [www.jeld-wen.com/resources/installation](http://www.jeld-wen.com/resources/installation).

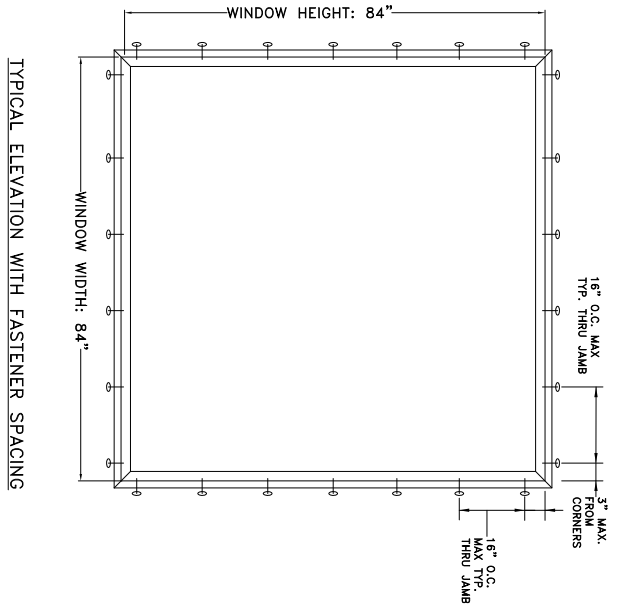
**DISCLAIMER:**  
This drawing and its contents are confidential and are not to be reproduced or copied in whole or in part or used or disclosed to others except as authorized by JELD-WEN Inc.

PROJECT ENGINEER:	DATE:
DRAWN BY:	11/11/2016
J.HAWKINS	SCALE:
CHECKED BY:	NTS
K.CAMPBELL	TITLE:
APPROVED BY:	EpicVue Clad Direct Set Radius Window
D.STOKES	
PART/PROJECT No.:	
D014146	
IDENTIFIER No.:	
-	

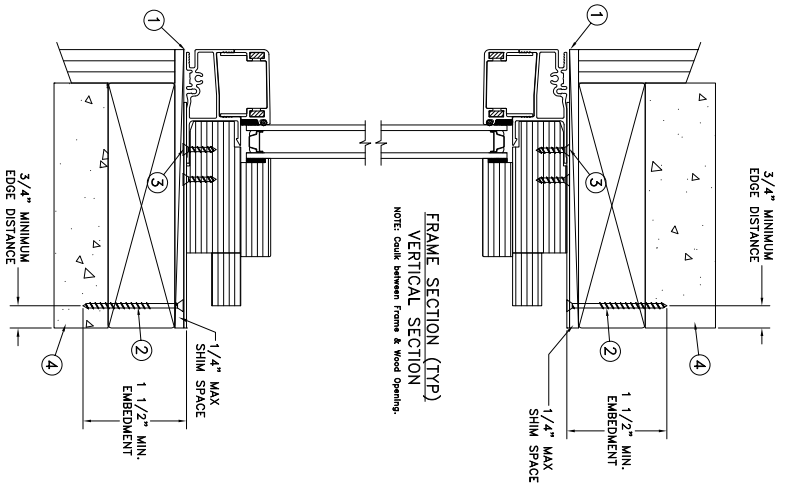
PROJECT ENGINEER:	DATE:
DRAWN BY:	11/11/2016
J.HAWKINS	SCALE:
CHECKED BY:	NTS
K.CAMPBELL	TITLE:
APPROVED BY:	EpicVue Clad Direct Set Radius Window
D.STOKES	
PART/PROJECT No.:	
D014146	
IDENTIFIER No.:	
-	

PROJECT ENGINEER:	DATE:	3737 LAKEPORT BLVD.
DRAWN BY:	11/11/2016	KLAMATH FALLS OR, 97601
J.HAWKINS	SCALE:	PHONE: (800) 535-3936
CHECKED BY:	NTS	
K.CAMPBELL	TITLE:	
APPROVED BY:	EpicVue Clad Direct Set Radius Window	
D.STOKES		
PART/PROJECT No.:		
D014146		
IDENTIFIER No.:		
-		

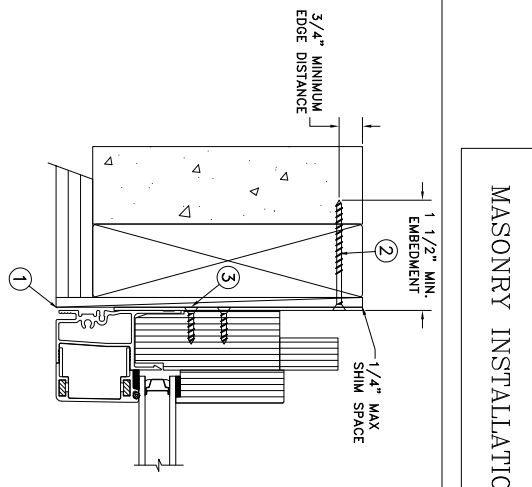
PLANT NAME AND LOCATION:	CAD DWG. No.:	REV:	SHEET
Bend-OR	EpicVueCLDset Cdf	A	



TYPICAL ELEVATION WITH FASTENER SPACING



FRAME SECTION (TYP)  
VERTICAL SECTION  
NOTE: GASKET BETWEEN FRAME & WOOD OPENING.



MASONRY INSTALLATION

FRAME JAMB SECTION (TYP) HORIZONTAL SECTION NOTE: GASKET BETWEEN FRAME & WOOD OPENING.		
Max Frame	DP	IMPACT
84 x 84	+50/-55	NO

- Installation Notes:**
1. Seal flange/frame to substrate.
  2. Use #9 PFH or larger fasteners through masonry strap with sufficient length to penetrate a minimum of 1 1/2" into the masonry or buck... For concrete (min. f<sub>c</sub> = 3000 psi) or masonry substrate (CMU shall adhere to ASTM C90).
  3. Use #9 PFH or larger fasteners through masonry strap into jamb without penetrating through the jamb into product causing visibility or collateral damage to product.
  4. Host structure (wood buck, masonry, steel) to be designed and anchored to properly transfer all loads to the structure. The host structure is the responsibility of the architect or engineer of record for the project of installation.

- General Notes:**
1. The product shown herein is designed, tested and manufactured to comply with the wind load criteria of the adopted International Building Code (IBC), the International Residential Code (IRC), the Florida Building Code (FBC) and the industry requirement for the stated conditions.
  2. All glazing shall conform to ASTM E1300.
  3. At minimum, glazing shall be double strength annealed insulating glass.
  4. Use structural or composite shims where required.

This schedule addresses only the fasteners required to anchor the window to achieve the rated design pressure and impact performance (where applicable) up to the size limitations noted. It is not intended as a guide to the installation process and does not address the sealing consideration that may arise in different wall conditions. For the complete installation procedure, see the instructions packaged with the window or go to [www.jeld-wen.com/resources/installation](http://www.jeld-wen.com/resources/installation).

**DISCLAIMER:**  
This drawing and its contents are confidential and are not to be reproduced or copied in whole or in part or used or disclosed to others except as authorized by JELD-WEN Inc.

PROJECT ENGINEER:	DATE:	3737 LAKEPORT BLVD.
DRAWN BY:	11/11/2016	KLAMATH FALLS OR, 97601
J.HAWKINS	SCALE:	PHONE: (800) 535-3936
CHECKED BY:	NTS	
K.CAMPBELL	TITLE:	
APPROVED BY:	EpicVue Clad Direct Set Radius Window	
D.STOKES	PLANT NAME AND LOCATION:	
PART/PROJECT No.:	Bend-OR	
D014146	CAD DWG. No.:	
IDENTIFIER No.:	EpicVueCLDset Ccft	
	REV:	A
	SHEET	